

# VITARA

## 24" Dual Zone Wine Cooler VBWC5201D



### Features

- Built-in or free standing installation
- 52 Bottle Capacity
- Temperature range 40-50 °F Top 50-64 °F Bottom
- No frost with interior fan circulating
- Seamless SS door frame
- SS handle and kickplate
- Flat door
- 5 wooden shelves
- Premium electronic control with blue LED readout
- Blue LED interior lighting
- Two-layer UV resistant glass door
- SS trim attached to the wooden shelf
- Slide-out roller
- Pro handle

Model	Lock	Finish	Description
VBWC5201D	No	Stainless Steel	24" Dual Zone Wine Cooler

### Model Details

Dimensions/Weight	Detail	Dimensions/Weight	Detail
Product Depth	23 3/8"	Product Volume	4.8 Cubic Feet
Product Height	33 7/8"	Shipping Dimensions	W26 3/8" X D26 3/8" X H36"
Product Width	23 3/8"	Shipping Weight	119 lbs
Product Weight	112 lbs		



[www.vitaraamerica.com](http://www.vitaraamerica.com) | 1.800.299.3406  
MG Home Solution LLC

100 Illinois Street, Suite 200, St Charles, IL 60174

MG Home Solution LLC warrants to the original purchaser of its VITARA Wine & Bev products that they will be free from defects in materials and workmanship for the following time periods from the date of purchase shown on the sales receipt: Two (2) Years Parts & On-Site Labor. See complete warranty for details.

Model	Detail
Control Type	Electronic Capacitive Touch with OLED Screen
Indoor or Outdoor	Indoor
Built-in Installation	Built in or Free Standing
Refrigerant Type	R600a

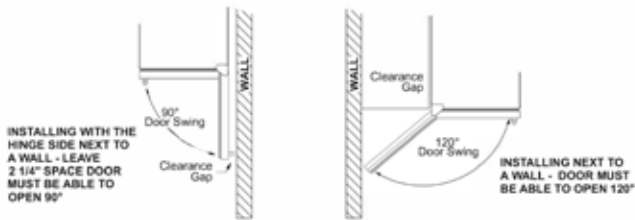
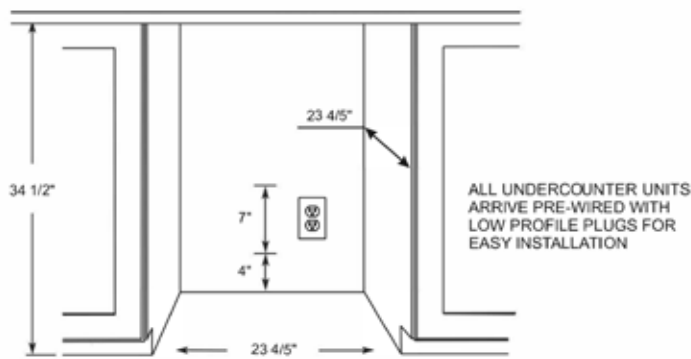
Electrical	Detail
Electrical Requirements	110V/60Hz
Volt Range	104V - 127V
Electrical Service	15 Amps
Running Amps	0.7 Amps

Capacities	Detail
12 oz Can Capacity	
25 oz Bottle Capacity	52 Bottles (Bordeaux style)

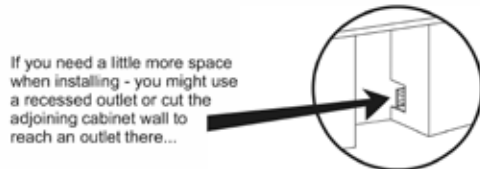
Approvals/Certifications	Detail
ETL Residential/Commercial	Yes

## Installation Instructions

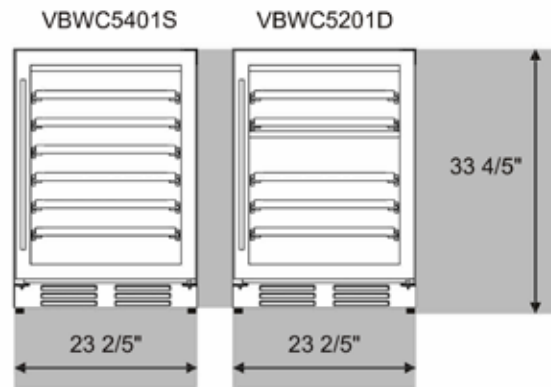
USE FREE STANDING - OR - INSTALL UNDER COUNTER



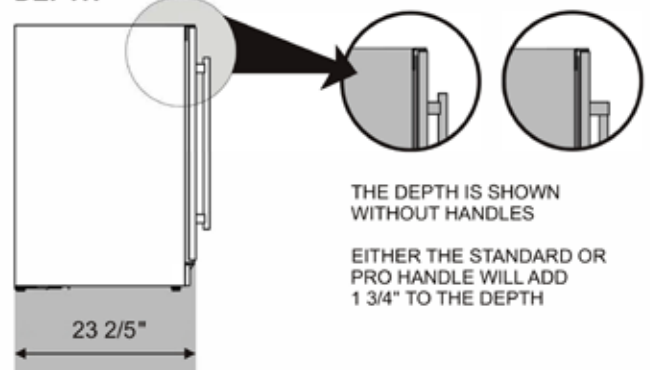
IF THE DOOR CAN'T OPEN FULLY - YOU CAN'T PULL THE SHELVES OUT.



WIDTH & HEIGHT



DEPTH



www.vitaraamerica.com | 1.800.299.3406  
MG Home Solution LLC

100 Illinois Street, Suite 200, St Charles, IL 60174

MG Home Solution LLC warrants to the original purchaser of its VITARA Wine & Bev products that they will be free from defects in materials and workmanship for the following time periods from the date of purchase shown on the sales receipt: Two (2) Years Parts & On-Site Labor. See complete warranty for details.