

# VITARA

## 24" Beverage Center VBBW1080S



### Features

- Built-in or free standing installation
- 108 beverage cans and 6 bottles of wine
- Temperature range 34-65 °F
- No frost with interior fan circulating
- Seamless SS door frame
- SS handle and kickplate
- Flat door (Field Reversible)
- 3 adjustable clear glass slide out shelves
- Premium electronic control with blue LED readout
- Blue LED interior lighting
- Two-layer UV resistant glass door
- SS trim attached to the wooden shelf
- Pro handle

| Model     | Lock | Finish          | Description         |
|-----------|------|-----------------|---------------------|
| VBBW1080S | No   | Stainless Steel | 24" Beverage Center |

### Model Details

| Dimensions/Weight | Detail  | Dimensions/Weight   | Detail                     |
|-------------------|---------|---------------------|----------------------------|
| Product Depth     | 23 3/8" | Product Volume      | 4.8 Cubic Feet             |
| Product Height    | 33 7/8" | Shipping Dimensions | W26 3/8" X D26 3/8" X H36" |
| Product Width     | 23 3/8" | Shipping Weight     | 119 lbs                    |
| Product Weight    | 112 lbs |                     |                            |



[www.vitaraamerica.com](http://www.vitaraamerica.com) | 1.800.299.3406  
MG Home Solution LLC

100 Illinois Street, Suite 200, St Charles, IL 60174

MG Home Solution LLC warrants to the original purchaser of its VITARA Wine & Bev products that they will be free from defects in materials and workmanship for the following time periods from the date of purchase shown on the sales receipt: Two (2) Years Parts & On-Site Labor. See complete warranty for details.

| Model                 | Detail                                       |
|-----------------------|--|
| Control Type          | Electronic Capacitive Touch with OLED Screen |
| Indoor or Outdoor     | Indoor                                       |
| Built-in Installation | Built in or Free Standing                    |
| Refrigerant Type      | R600a  |

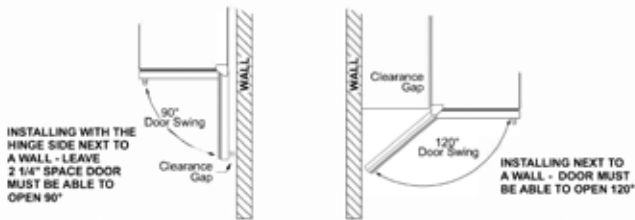
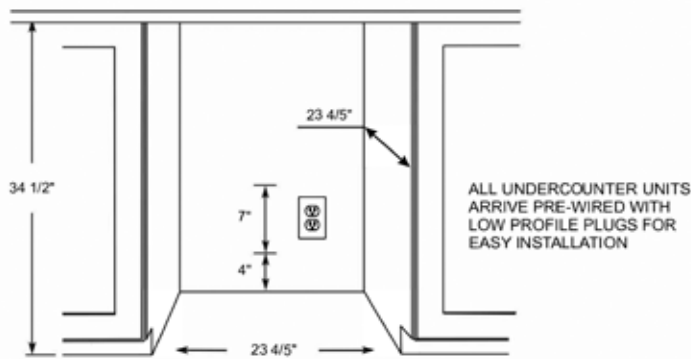
| Electrical              | Detail      |
|-------------------------|-------------|
| Electrical Requirements | 110V/60Hz   |
| Volt Range              | 104V - 127V |
| Electrical Service      | 15 Amps     |
| Running Amps            | 0.7 Amps    |

| Capacities            | Detail                     |
|-----------------------|----------------------------|
| 12 oz Can Capacity    | 108                        |
| 25 oz Bottle Capacity | 6 Bottles (Bordeaux style) |

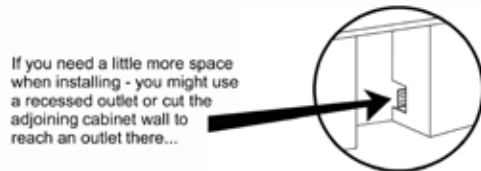
| Approvals/Certifications   | Detail |
|----------------------------|--------|
| ETL Residential/Commercial | Yes    |

## Installation Instructions

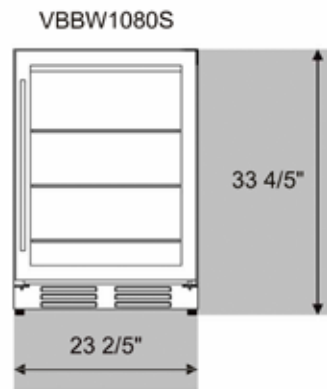
USE FREE STANDING - OR - INSTALL UNDER COUNTER



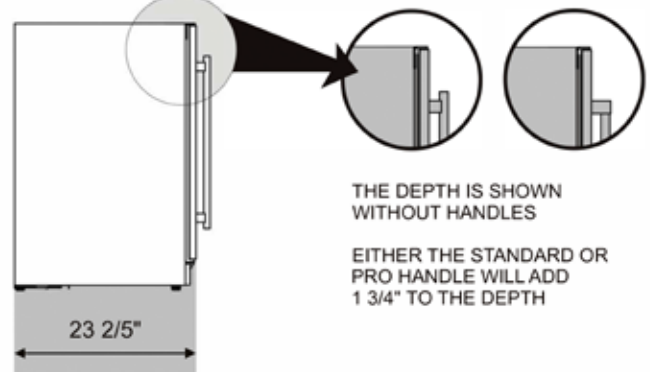
IF THE DOOR CAN'T OPEN FULLY - YOU CAN'T PULL THE SHELVES OUT.



WIDTH & HEIGHT



DEPTH



www.vitaraamerica.com | 1.800.299.3406  
MG Home Solution LLC

100 Illinois Street, Suite 200, St Charles, IL 60174

MG Home Solution LLC warrants to the original purchaser of its VITARA Wine & Bev products that they will be free from defects in materials and workmanship for the following time periods from the date of purchase shown on the sales receipt: Two (2) Years Parts & On-Site Labor. See complete warranty for details.